

# Bachelor of Science (B.S.) in Animal Science – Equine Option

## Curriculum Map

### Required Coursework – 120 hrs.

#### General Education Requirements (40 hours)

##### English Composition – 9 hours

___ ENGL 1113 Freshman English I		
___ ENGL 1213 Freshman English II		
___ Communications Elective _____		

##### Mathematics – 3 hours

___ MATH 1523 Modeling and Basic Statistics		
---	--	--

##### Natural Science – 9\* hours

___ BIOL 1304 Principles of Biology I		
___ CHEM 1135 General Chemistry I		

##### U.S. History and Government – 6 hours

___ HIST 1313 or HIST 1323 US History		
___ POLS 1013 American Government		

##### Social Science – 6 hours

___ ECON 2343 Agriculture Economics		
___ Social Science e.g., PSYC 1113, SOC 1013		

##### Humanities – 6 hours

___ HUM		
___ HUM		

##### Student Success – 1 hour

___ UCSS 1111 Student Success Seminar		
---------------------------------------	--	--

##### Liberal Arts and Science Electives – 1 hour\*

___ Additional CHEM 1135 hour will count		
--	--	--

### Major Requirements (80 hours)

#### Animal Science Core – 27-28 hours

___ AG 1011 Introduction to the Ag Industry		
___ ANSI 1124 Introduction to Animal Science		
___ ANSI 2182 Meat Eval OR ANSI 3113 Lvstk. Jud.		
___ ANSI 3333 Meats		
___ ANSI 3543 Animal Nutrition		
___ ANSI 3643 Applied Animal Nutrition		
___ ANSI 4333 Livestock Breeding & Improvement		
___ ANSI 4463 Meat Science		
___ ANSI 4862 Animal Science Seminar		
___ ECON 2343 Agriculture Economics		

#### Agronomic Electives – 7 hours

___ AGRN 1213 Intro to Plant Science		
___ AGRN 3924 Range Management (Suggested)		

#### Chemistry – 10 hours

___ CHEM 1135 General Chemistry I		
___ CHEM 3315 Organic Chem I OR 4 hr Phys Sci		

#### Biology – 8 hours

___ BIOL 1304 Prin. of Biol. I OR BIOL 1504 Biol. II		
___ BIOL Elective		

#### Equine – 9 hours

___ ANSI 1123 Introduction to Equine Science		
___ ANSI 1132 Equine Evaluation		
___ ANSI 3624 Horse Science		

#### Animal Science Electives – 7 hours

___ ANSI		
___ ANSI		

**Electives** – Sufficient to bring upper level hours to 40 and total credit hours to 120

### Recommended Plan of Study

#### First Semester – 15 hours

ENGL 1113 Freshman English I
MATH 1523 Modeling and Basic Statistics
ANSI 1124 Introduction to Animal Science
AGRN 1213 Intro to Plant Science (Suggested)
UCSS 1111 Student Success Seminar
AG 1011 Introduction to the Ag Industry

#### Second Semester – 15 hours

ENGL 1213 Freshman English II
Communications Elective – COMM 1113 Suggested
HIST 1313 or HIST 1323 US History
ANSI 1123 Introduction to Equine Science
Humanities – 3 hours

#### Third Semester – 15-16 hours

ANSI 2182 Meat Eval. OR ANSI 3113 Lvstk. Jud./Meat Ev
CHEM 1135 General Chemistry I
POLS 1013 American Government
Humanities – 3 hours
ANSI 1132 Equine Evaluation

#### Fourth Semester – 16 hours

Social Science e.g., PSYC 1113, SOC 1013
BIOL 1304 Prin of Biology I OR BIOL 1504 Biology II
ECON 2343 Agriculture Economics
ANSI Electives – 6 hours

#### Fifth Semester – 18 hours

ANSI 3333 Meats
ANSI 3543 Animal Nutrition
CHEM 3315 – Organic Chemistry I
AGRN 3924 Range Management (Suggested)

#### Sixth Semester – 14 hours

ANSI 3643 Applied Animal Nutrition
ANSI 3624 Horse Science
Biology Elective – 4 hours
ANSI or Other Electives – 3 hours

#### Seventh Semester – 15-16 hours

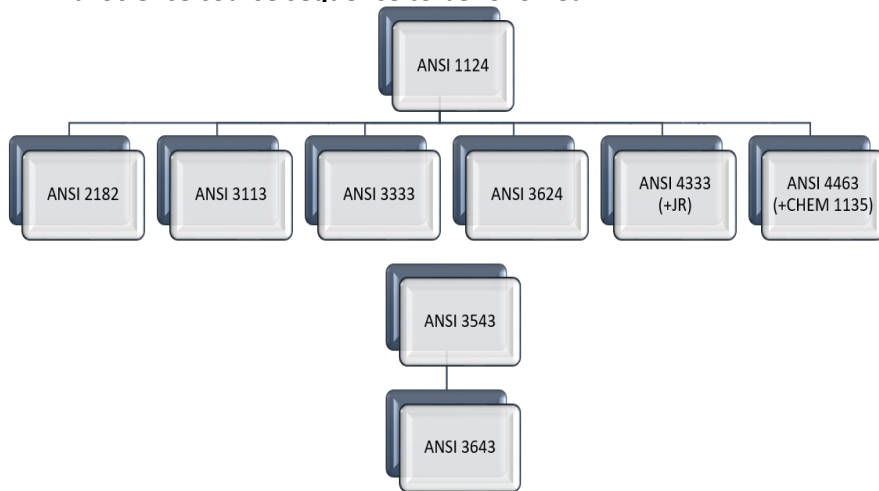
ANSI 4463 Meat Science
ANSI or Other Electives – 12-13 hours

#### Eighth Semester – 14 hours

ANSI 4333 Livestock Breeding and Improvement
ANSI 4862 Animal Science Seminar
ANSI or Other Electives – 9 hours

**This is a sample course sequence timeline only. This does not represent a contract, nor does it guarantee course availability. A student may require more than eight semesters to complete the degree.**

### Animal Science course sequence to be followed:



### Notes to Advisees:

- No more than 12 semester hrs. may be used for both general educ. and major requirements.
- All courses toward the Animal Science major must have a grade of C or better.
- Overall GPA of 2.0 is required for graduation.
- **Minor Requirements** Upon completion of the major, the student will have sufficient courses for a minor in Natural Science. Hours designated toward the minor are included in the 120 hours required for the major.

### Course Rotation:

#### Fall only courses:

- ANSI 1124 Intro to Animal Science
- ANSI 2182 Meat Evaluation
- ANSI 3113 Livestock Judg. & Meat Evaluation
- ANSI 3543 Animal Nutrition
- ANSI 4463 Meat Science
- AGRN 1213 Intro to Plant Science
- AGRN 3924 Range Management
- CHEM 3315 Organic Chemistry I

#### Spring only courses:

- ANSI 3643 Applied Animal Nutrition
- ANSI 4333 Livestock Breeding and Improvement
- ANSI 4862 Animal Science Seminar

