

Bachelor of Science (B.S.) in Animal Science – Livestock Production and Management Option Curriculum Map

Required Coursework – 120 hrs.

General Education Requirements (40 hours)

| | Sem | Grade |
|---|-----|-------|
| English Composition – 9 hours | | |
| ___ ENGL 1113 Freshman English I | | |
| ___ ENGL 1213 Freshman English II | | |
| ___ Communications Elective _____ | | |
| Mathematics – 3 hours | | |
| ___ MATH 1523 Modeling and Basic Statistics | | |
| Natural Science – 9* hours | | |
| ___ BIOL 1304 Principles of Biology I | | |
| ___ CHEM 1135 General Chemistry I | | |
| U.S. History and Government – 6 hours | | |
| ___ HIST 1313 or HIST 1323 US History | | |
| ___ POLS 1013 American Government | | |
| Social Science – 6 hours | | |
| ___ ECON 2343 Agriculture Economics | | |
| ___ Social Science e.g., PSYC 1113, SOC 1013 | | |
| Humanities – 6 hours | | |
| ___ HUM | | |
| ___ HUM | | |
| Student Success – 1 hour | | |
| ___ UCSS 1111 Student Success Seminar | | |
| Liberal Arts and Science Electives – 1 hour* | | |
| ___ Additional CHEM 1135 hour will count | | |

Major Requirements (80 hours)

| | | |
|---|--|--|
| Animal Science Core – 30-31 hours (ECON 2343 Agriculture Econ **Gen Ed) | | |
| ___ AG 1011 Introduction to the Ag Industry | | |
| ___ ANSI 1124 Introduction to Animal Science | | |
| ___ ANSI 2182 Meat Eval OR ANSI 3113 Lvstk. Jud. | | |
| ___ ANSI 3333 Meats | | |
| ___ ANSI 3543 Animal Nutrition | | |
| ___ ANSI 3643 Applied Animal Nutrition | | |
| ___ ANSI 4333 Livestock Breeding & Improvement | | |
| ___ ANSI 4433 Animal Reproduction | | |
| ___ ANSI 4463 Meat Science | | |
| ___ ANSI 4862 Animal Science Seminar | | |
| Agronomic Electives – 7 hours | | |
| ___ AGRN 1213 Intro to Plant Science | | |
| ___ AGRN 3924 Range Management (Suggested) | | |
| Chemistry – 10 hours (CHEM 1135 General Chemistry I **Gen Ed) | | |
| ___ CHEM 3315 Organic Chemistry I | | |
| Biology – 8 hours (BIOL 1304 Principles of Biology I *Gen Ed) | | |
| ___ BIOL Elective | | |
| Management – 9 hours Choose from: MGMT 3813, MGMT 3873, MKTG 3913, AG 3144 | | |
| ___ | | |
| ___ | | |
| ___ | | |
| Additional courses from ANSI, AG, BIOL, CHEM, BADM, CIS – 12 hours | | |
| ___ | | |
| ___ | | |
| ___ | | |
| ___ | | |

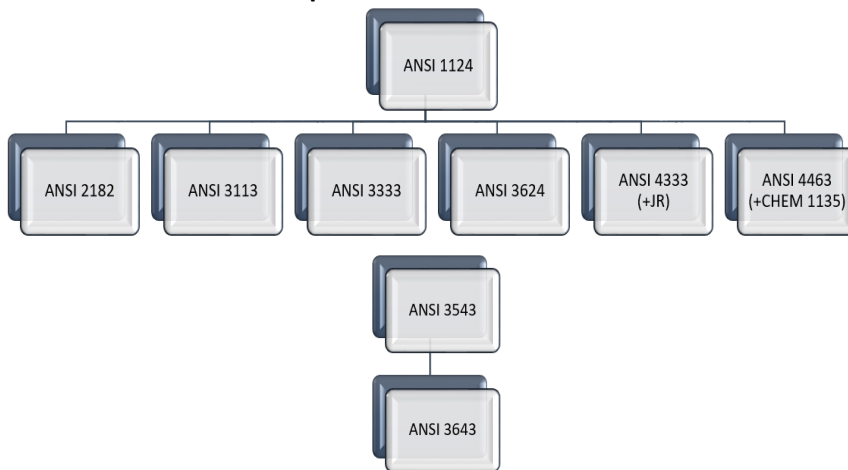
Electives – Sufficient to bring upper level hours to 40 and total credit hours to 120

Recommended Plan of Study

| First Semester – 15 hours | Second Semester – 15 hours |
|--|---|
| ENGL 1113 Freshman English I | ENGL 1213 Freshman English II |
| MATH 1523 Modeling and Basic Statistics | Communications Elective – COMM 1113 Suggested |
| ANSI 1124 Introduction to Animal Science | HIST 1313 or HIST 1323 US History |
| AGRN 1213 Intro to Plant Science (Suggested) | Humanities – 3 hours |
| UCSS 1111 Student Success Seminar | ANSI Elective – 3 hours |
| AG 1011 Introduction to the Ag Industry | |
| Third Semester – 13-14 hours | Fourth Semester – 16 hours |
| ANSI 2182 Meat Eval OR ANSI 3113 Lvstk. Jud | Social Science e.g., PSYC 1113, SOC 1013 |
| CHEM 1135 General Chemistry I | BIOL 1304 Principles of Biology I |
| POLS 1013 American Government | ECON 2343 Agriculture Economics |
| Humanities – 3 hours | ANSI Electives – 6 hours |
| Fifth Semester – 15 hours | Sixth Semester – 14-15 hours |
| ANSI 3333 Meats | ANSI 3643 Applied Animal Nutrition |
| ANSI 3543 Animal Nutrition | BIOL Elective – 4 hours |
| CHEM 3315 – Organic Chemistry I | MGMT or MKTG Elective – 3 or 4 hours |
| AGRN 3924 Range Management (Suggested) | ANSI or Other Electives – 4 hours |
| Seventh Semester – 15-16 hours | Eighth Semester – 14 hours |
| ANSI 4433 Animal Reproduction | ANSI 4113 Animal Anatomy and Physiology |
| ANSI 4463 Meat Science | ANSI 4333 Livestock Breeding and Improvement |
| MGMT or MKTG Elective – 3 or 4 hours | ANSI 4862 Animal Science Seminar |
| ANSI or Other Electives – 6 hours | Controlled Electives – 6 hours |

This is a sample course sequence timeline only. This does not represent a contract, nor does it guarantee course availability. A student may require more than eight semesters to complete the degree.

Animal Science course sequence to be followed:



Notes to Advisees:

- No more than 12 semester hrs. may be used for both general educ. and major requirements.
- All courses toward the Animal Science major must have a grade of C or better.
- Overall GPA of 2.0 is required for graduation.
- **Minor Requirements** Upon completion of the major, the student will have sufficient courses for a minor in Natural Science. Hours designated toward the minor are included in the 120 hours required for the major.

Course Rotation:

Fall only courses:

- ANSI 1124 Intro to Animal Science
- ANSI 2182 Meat Evaluation
- ANSI 3113 Livestock Judg. & Meat Evaluation
- ANSI 3543 Animal Nutrition
- ANSI 4463 Meat Science
- AGRN 1213 Intro to Plant Science
- AGRN 3924 Range Management
- CHEM 3315 Organic Chemistry I

Spring only courses:

- ANSI 3643 Applied Animal Nutrition
- ANSI 4333 Livestock Breeding and Improvement
- ANSI 4862 Animal Science Seminar

